

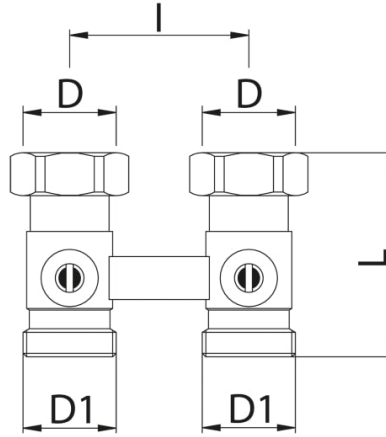


BIANCHI F.lli S.p.A.
Rubinetteria

Straight "H" double valve for panels radiators

Art. 303

Straight "H" double valve for panels radiators



Items

Code	Size (D)	Smooth	Pack	D1	I	L
3030000500	3/4"	●	10	3/4"	50.0	48.0

SMOOTH

- Yellow
- Chrome
- Nickel
- White

Max working temperature: 100°C

Max working pressure: 10 bar

Body in forged brass

Threads: ISO 228

Thermostatic head attachment: M30x1,5

Suitable for fittings for copper, PEX or multilayer piping

Available with thermostatic head: art.400T

Allowed fluids: water (Glycole max percentage: 50%)

The mono pipe valves with four outlets are supplied complete with brass supply feeler